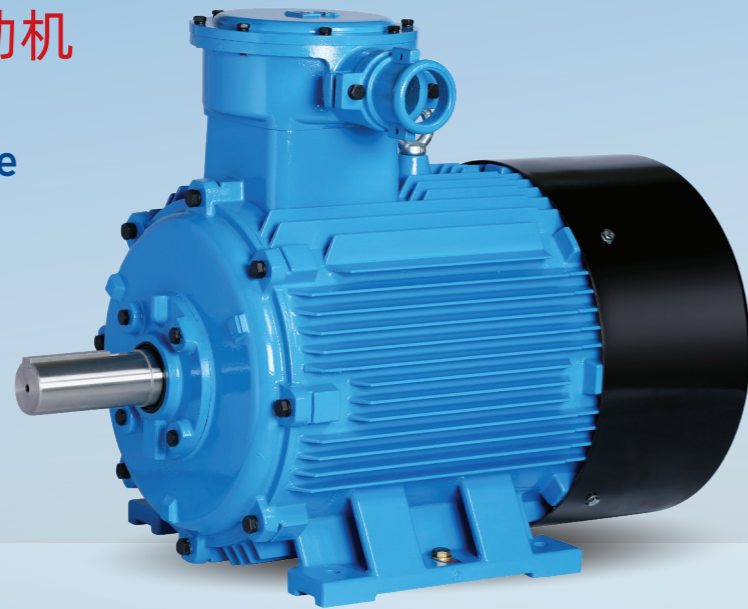


YBX4

隔爆型三相异步电动机

YBX4 Series Flameproof Three-phase Asynchronous Motor



该系列电动机是我公司为爆炸性气体环境专门设计的一款隔爆型电动机，其效率指标满足GB18613-2020《中小型一相异步电动机能效限定值及能效等级》中的2级能效限定值，具有高效、节能、寿命长等优点。电机性能好，温升低，噪声、振动小。

本系列电动机的隔爆性能符合GB3836.1-2021《爆炸性气体环境通用电气设备第1部分：通用要求》，GB3836.2-2021《爆炸性气体环境通用电气设备第2部分：隔爆型“d”》标准的规定，类别有Ex db IIA T4 Gb、Ex db IIB T4 Gb。

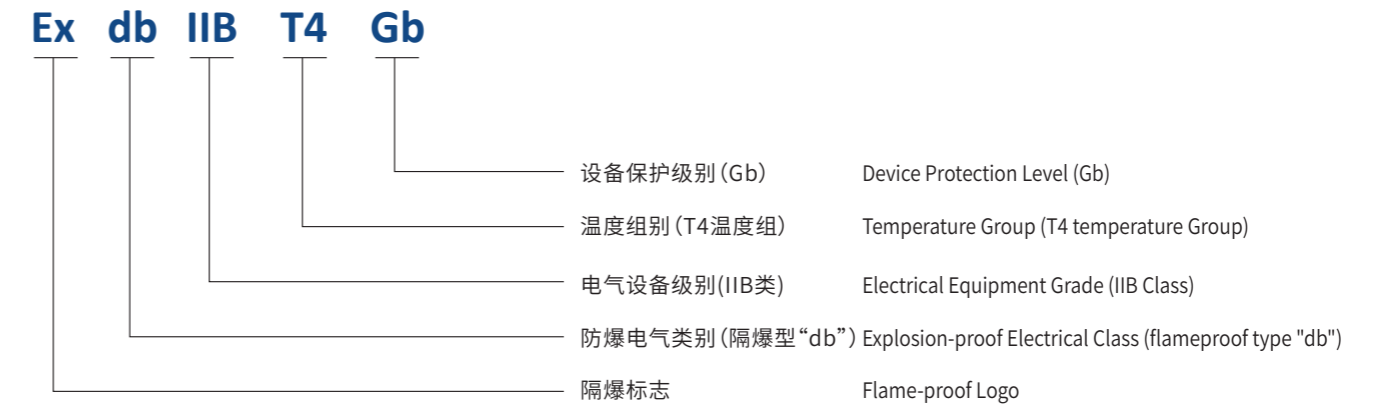
This series of motors is a flameproof type motor specially designed by our company for explosive gas environment. Its efficiency index meets the level 2 energy efficiency limit value in GB18613 “Energy Efficiency Limit value and Energy Efficiency Grade of Small and Medium-sized One-Phase Asynchronous Motors”, which has the advantages of high efficiency, energy saving and long life, etc. Good motor performance, low vibration.

The flameproof performance of this series motor conforms to the provisions of GB3836.1-2021 in General Electric Equipment for Environments with Explosive Gases--part 1: General Requirements, GB3836.2-2021 in General Electric Equipment for Environments with Explosive Gases--part 2: Flameproof type “d”, and the categories include ExdbIIAT4Gb and ExdbIIBT4Gb.

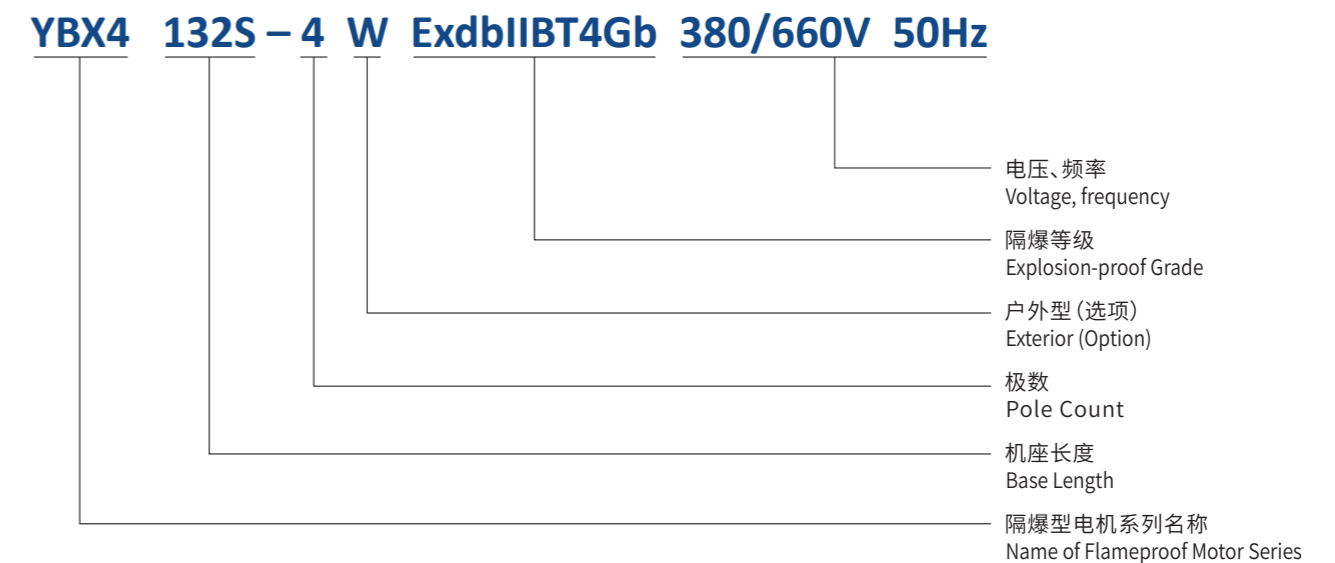
隔爆型ExdbIIAT4Gb 适用于工厂用IIA类，温度级别T1,T2,T3,T4组别爆炸性气体混合物存在的环境，代表气体：乙醛、三甲胺
It is suitable for the environment in which explosive gas mixtures of IIA, T1,T2,T3 and T4 are used in factories. The representative gases are acetaldehyde and trimethylamine.

隔爆型ExdbIIBT4Gb 适用于工厂用IIB类，温度级别T1,T2,T3,T4组别爆炸性气体混合物存在的环境，代表气体：乙基甲基醚、二乙醚
It is suitable for the environment where explosive gas mixture exists in IIB class, temperature grades T1,T2,T3 and T4, and the representative gases are ethyl methyl ether and diethyl ether.

隔爆等级说明 Description of Flameproof Level



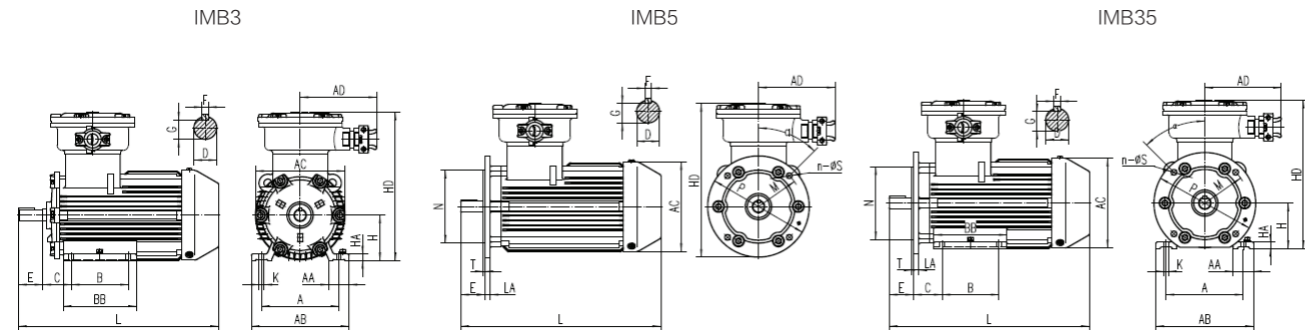
产品型号示例 Sample Product Model



主要技术条件和使用条件 Main Technical Conditions and Service Conditions

额定电压 Rated Voltage	380V、380/660V、660V	额定频率 Rated Frequency	50Hz
防护等级 Protection Grade	IP55	绝缘等级 Insulation Class	F
冷却方式 Cooling Way	IC411	工作制 Work System	S1
环境温度 Environment Temperature	-20~+40°C	海拔 Elevation	≤1000m

YBX4系列隔爆型三相异步电动机安装及外形尺寸图 YBX4 Series Motor Mounting and Overall Dimensions



机座号 Frame Size	安装尺寸 Mounting Dimensions(mm)														外形尺寸 Overall Dimensions(mm)									
	A	B	C	D 2P	E 4P	F 2P	G 4P	H	K	M	N	P	T	n-φS	α	AA	AB	AC	AD	BB	HA	HD	LA	L 2P
80	125	100	50	19	40	6	15.5	80	10	165	130	200	3.5	4-φ12	45	34	160	167	190	130	295	12	320	
90S	140	100	56	24	50	8	20	90	10	165	130	200	3.5	4-φ12	45	36	180	180	190	135	14	315	12	370
90L	140	125	56	24	50	8	20	90	10	165	130	200	3.5	4-φ12	45	36	180	180	190	155	14	315	12	395
100L	160	140	63	28	60	8	24	100	12	215	180	250	4	4-φ14.5	45	43	200	207	190	176	14	340	13	445
112M	190	140	70	28	60	8	24	112	12	215	180	250	4	4-φ14.5	45	50	240	221	205	180	16	370	13	495
132S	216	140	89	38	80	10	33	132	12	265	230	300	4	4-φ14.5	45	60	276	260	205	190	18	415	13	510
132M	216	178	89	38	80	10	33	132	12	265	230	300	4	4-φ14.5	45	60	276	260	205	230	18	415	15	550
160M	254	210	108	42	110	12	37	160	14.5	300	250	350	5	4-φ18.5	45	70	324	315	210	258	20	490	16	680
160L	254	254	108	42	110	12	37	160	14.5	300	250	350	5	4-φ18.5	45	70	324	315	210	302	20	490	16	710
180M	279	241	121	48	110	14	42.5	180	14.5	300	250	350	5	4-φ18.5	45	70	349	356	210	311	20	530	18	765
180L	279	279	121	48	110	14	42.5	180	14.5	300	250	350	5	4-φ18.5	45	70	349	356	210	349	20	530	18	785
200L	318	305	133	55	110	16	49	200	18.5	350	300	400	5	4-φ18.5	45	70	388	400	235	366	25	585	20	835
225S	356	286	149	60	140	18	53	225	18.5	400	350	450	5	8-φ18.5	22.5	75	431	446	235	355	28	630	20	875
225M	356	311	149	55	140	16	49	225	18.5	400	350	450	5	8-φ18.5	22.5	75	431	446	235	380	28	630	20	875 905
250M	406	349	168	60	140	18	53	250	24	500	450	550	5	8-φ18.5	22.5	80	486	495	280	420	30	715	22	955
280S	457	368	90	65	140	18	58	280	24	500	450	550	5	8-φ18.5	22.5	85	542	548	280	438	35	780	25	995 1005
280M	457	419	190	65	140	18	58	280	24	500	450	550	5	8-φ18.5	22.5	85	542	548	280	489	35	780	25	1050 1060
315S	508	406	216	65	140	18	58	315	28	600	550	660	6	8-φ24	22.5	120	628	620	325	550	45	915	22	1185 1265
315M	508	457	216	65	140	18	58	315	28	600	550	660	6	8-φ24	22.5	120	628	620	325	680	45	915	22	1305 1395
315L	508	508	216	65	140	18	58	315	28	600	550	660	6	8-φ24	22.5	120	628	620	325	680	45	915	22	1305 1395
355S	610	500	254	75	140	20	67.5	355	28	740	680	800	6	8-φ24	22.5	116	726	700	325	636	52	1045	25	1455 1485
355M	610	560	254	75	140	20	67.5	355	28	740	680	800	6	8-φ24	22.5	116	726	700	325	696	52	1045	25	1535 1565
355L	610	630	254	75	140	20	67.5	355	28	740	680	800	6	8-φ24	22.5	116	726	700	325	766	52	1045	25	1645 1675

注: 若有特殊要求, 可按用户需求提供。 Please contact us with your requirement.

技术数据 Synchronous Speed 3000rpm Technical data

380V 50Hz

型号 Type	功率 Output (kW)	额定电流 Current (A)	效率 Efficiency (%)	功率因数 P.F.	额定转速 Rated Speed (r/min)	堵转转矩 额定转矩 Tst/Tn	堵转电流 额定电流 Ist/In	最大转矩 额定转矩 Tmax/Tn
YBX4-80M1-2	0.75	1.64	83.5	0.83	2895	2.2	8.5	2.3
YBX4-80M2-2	1.1	2.36	85.2	0.83	2895	2.2	8.5	2.3
YBX4-90S-2	1.5	3.10	86.5	0.85	2895	2.2	9.0	2.3
YBX4-90L-2	2.2	4.42	88.0	0.86	2895	2.2	9.0	2.3
YBX4-100L-2	3	5.88	89.1	0.87	2910	2.2	9.5	2.3
YBX4-112M-2	4	7.67	90.0	0.88	2910	2.2	9.5	2.3
YBX4-132S1-2	5.5	10.4	90.9	0.88	2955	2.0	9.5	2.3
YBX4-132S2-2	7.5	14.0	91.7	0.89	2955	2.0	9.5	2.3
YBX4-160M1-2	11	20.3	92.6	0.89	2955	2.0	9.5	2.3
YBX4-160M2-2	15	27.4	93.3	0.89	2955	2.0	9.5	2.3
YBX4-160L-2	18.5	33.7	93.7	0.89	2955	2.0	9.5	2.3
YBX4-180M-2	22	40.0	94.0	0.89	2965	2.0	9.5	2.3
YBX4-200L1-2	30	54.2	94.5	0.89	2970	2.0	9.0	2.3
YBX4-200L2-2	37	66.6	94.8	0.89	2970	2.0	9.0	2.3
YBX4-225M-2	45	80.9	95.0	0.89	2975	2.0	9.0	2.3
YBX4-250M-2	55	98.5	95.3	0.89	2975	2.0	9.0	2.3
YBX4-280S-2	75	134	95.6	0.89	2985	1.8	8.5	2.3
YBX4-280M-2	90	160	95.8	0.89	2985	1.8	8.5	2.3
YBX4-315S-2	110	196	96.0	0.89	2985	1.8	8.5	2.3
YBX4-315M-2	132	234	96.2	0.89	2985	1.8	8.5	2.3
YBX4-315L1-2	160	284	96.3	0.89	2985	1.8	8.5	2.2
YBX4-315L2-2	200	354	96.5	0.89	2985	1.8	8.5	2.2
YBX4-355S1-2	185	328	96.4	0.89	2985	1.8	8.5	2.2
YBX4-355S2-2	200	354	96.5	0.89	2985	1.8	8.5	2.2
YBX4-355M1-2	220	385	96.5	0.90	2985	1.8	8.5	2.2
YBX4-355M2-2	250	433	96.5	0.91	2985	1.6	8.5	2.2
YBX4-355L1-2	280	484	96.5	0.91	2985	1.6	8.5	2.2
YBX4-355L2-2	315	545	96.5	0.91	2985	1.6	8.5	2.2

技术数据 Synchronous Speed 1500rpm Technical data

380V 50Hz

型号 Type	功率 Output (kW)	额定电流 Current (A)	效率 Efficiency (%)	功率因数 P.F.	额定转速 Rated Speed (r/min)	堵转转矩 额定转矩 Tst/Tn	堵转电流 额定电流 Ist/In	最大转矩 额定转矩 Tmax/Tn
YBX4-80M1-4	0.55	1.35	83.9	0.74	1440	2.3	8.5	2.3
YBX4-80M2-4	0.75	1.80	85.7	0.74	1440	2.3	8.5	2.3
YBX4-90S-4	1.1	2.56	87.2	0.75	1445	2.3	8.5	2.3
YBX4-90L-4	1.5	3.40	88.2	0.76	1445	2.3	9.0	2.3
YBX4-100L1-4	2.2	4.73	89.5	0.79	1455	2.3	9.0	2.3
YBX4-100L2-4	3	6.30	90.4	0.80	1460	2.3	9.5	2.3
YBX4-112M-4	4	8.34	91.1	0.80	1460	2.3	9.5	2.3
YBX4-132S-4	5.5	11.4	91.9	0.80	1470	2.0	9.5	2.3
YBX4-132M-4	7.5	15.2	92.6	0.81	1470	2.0	9.5	2.3

技术数据 Synchronous Speed 1500rpm Technical data

380V 50Hz

型号 Type	功率 Output (kW)	额定电流 Current (A)	效率 Efficiency (%)	功率因数 P.F.	额定转速 Rated Speed (r/min)	堵转转矩 额定转矩 Tst/Tn	堵转电流 额定电流 Ist/In	最大转矩 额定转矩 Tmax/Tn
YBX4-160M-4	11	21.6	93.3	0.83	1475	2.0	9.5	2.3
YBX4-160L-4	15	28.9	93.9	0.84	1475	2.0	9.5	2.3
YBX4-180M-4	18.5	35.1	94.2	0.85	1480	2.0	9.5	2.3
YBX4-180L-4	22	41.6	94.5	0.85	1480	2.0	9.5	2.3
YBX4-200L-4	30	56.5	94.9	0.85	1485	2.0	9.0	2.3
YBX4-225S-4	37	69.5	95.2	0.85	1485	2.0	9.0	2.3
YBX4-225M-4	45	84.3	95.4	0.85	1485	2.0	9.0	2.3
YBX4-250M-4	55	102	95.7	0.86	1485	2.0	9.0	2.3
YBX4-280S-4	75	136	96.0	0.87	1490	2.0	8.5	2.3
YBX4-280M-4	90	162	96.1	0.88	1490	2.0	8.5	2.3
YBX4-315S-4	110	195	96.3	0.89	1490	1.8	8.5	2.2
YBX4-315M-4	132	234	96.4	0.89	1490	1.8	8.5	2.2
YBX4-315L1-4	160	280	96.6	0.90	1490	1.8	8.5	2.2
YBX4-315L2-4	200	349	96.7	0.90	1490	1.8	8.5	2.2
YBX4-355S1-4	185	323	96.6	0.90	1490	1.8	8.5	2.2
YBX4-355S2-4	200	349	96.7	0.90	1490	1.8	8.5	2.2
YBX4-355M1-4	220	384	96.7	0.90	1490	1.8	8.5	2.2
YBX4-355M2-4	250	436	96.7	0.90	1490	1.8	8.5	2.2
YBX4-355L1-4	280	489	96.7	0.90	1490	1.8	8.5	2.2
YBX4-355L2-4	315	550	96.7	0.90	1490	1.8	8.5	2.2

技术数据 Synchronous Speed 1000rpm Technical data

380V 50Hz

型号 Type	功率 Output (kW)	额定电流 Current (A)	效率 Efficiency (%)	功率因数 P.F.	额定转速 Rated Speed (r/min)	堵转转矩 额定转矩 Tst/Tn	堵转电流 额定电流 Ist/In	最大转矩 额定转矩 Tmax/Tn
YBX4-80M1-6	0.37	1.03	78.0	0.70	925	1.9	6.0	2.0
YBX4-80M2-6	0.55	1.48	80.9	0.70	925	1.9	6.0	2.1
YBX4-90S-6	0.75	1.97	82.7	0.70	955	2.1	7.5	2.1
YBX4-90L-6	1.1	2.83	84.5	0.70	955	2.1	7.5	2.1
YBX4-100L-6	1.5	3.74	85.9	0.71	960	2.1	7.5	2.1
YBX4-112M-6	2.2	5.39	87.4	0.71	970	2.1	7.5	2.1
YBX4-132S-6	3	7.25	88.6	0.71	975	2.0	7.5	2.1
YBX4-132M1-6	4	9.43	89.5	0.72	975	2.0	8.0	2.1
YBX4-132M2-6	5.5	12.8	90.5	0.72	975	2.0	8.0	2.1
YBX4-160M-6	7.5	16.4	91.3	0.76	980	2.0	8.0	2.1
YBX4-160L-6	11	23.5	92.3	0.77	980	2.0	8.5	2.1
YBX4-180L-6	15	30.7	92.9	0.80	980	2.0	8.5	2.1
YBX4-200L1-6	18.5	37.6	93.4	0.80	985	2.0	8.5	2.1
YBX4-200L2-6	22	44.0	93.7	0.81	985	2.0	8.5	2.1
YBX4-225M-6	30	59.0	94.2	0.82	989	2.0	8.3	2.1
YBX4-250M-6	37	71.7	94.5	0.83	990	2.0	8.3	2.1
YBX4-280S-6	45	86.9	94.8	0.83	985	2.0	8.5	2.0
YBX4-280M-6	55	105	95.1	0.84	985	2.0	8.5	2.0

技术数据 Synchronous Speed 1000rpm Technical data

380V 50Hz

型号 Type	功率 Output (kW)	额定电流 Current (A)	效率 Efficiency (%)	功率因数 P.F.	额定转速 Rated Speed (r/min)	堵转转矩 额定转矩 Tst/Tn	堵转电流 额定电流 Ist/In	最大转矩 额定转矩 Tmax/Tn
YBX4-315S-6	75	142	95.4	0.84	990	1.6	8.0	2.0
YBX4-315M-6	90	168	95.6	0.85	990	1.6	8.0	2.0
YBX4-315L1-6	110	205	95.8	0.85	990	1.6	8.0	2.0
YBX4-315L2-6	132	243	96.0	0.86	990	1.6	8.0	2.0
YBX4-355S-6	160	294	96.2	0.86	990	1.6	8.0	2.0
YBX4-355M1-6	185	340	96.2	0.86	990	1.6	8.0	2.0
YBX4-355M2-6	200	367	96.3	0.86	990	1.6	8.0	2.0
YBX4-355L1-6	220	404	96.3	0.86	990	1.6	8.0	2.0
YBX4-355L2-6	250	458	96.5	0.86	990	1.6	8.0	2.0

技术数据 Synchronous Speed 750rpm Technical data

380V 50Hz

型号 Type	功率 Output (kW)	额定电流 Current (A)	效率 Efficiency (%)	功率因数 P.F.	额定转速 Rated Speed (r/min)	堵转转矩 额定转矩 Tst/Tn	堵转电流 额定电流 Ist/In	最大转矩 额定转矩 Tmax/Tn
YBX4-80M1-8	0.18	0.67	67.2	0.61	690	1.8	4.0	1.9
YBX4-80M2-8	0.25	0.88	70.8	0.61	690	1.8	4.0	1.9
YBX4-90S-8	0.37	1.24	74.3	0.61	700	1.8	4.0	1.9
YBX4-90L-8	0.55	1.78	77.0	0.61	700	1.8	4.0	2.0
YBX4-100L1-8	0.75	2.20	78.4	0.66	710	2.0	7.0	2.0
YBX4-10L2-8	1.1	3.09	80.8	0.67	710	2.0	7.0	2.0
YBX4-112M-8	1.5	4.00	82.6	0.69	715	2.0	7.0	2.0
YBX4-132S-8	2.2	5.65	84.5	0.70	720	1.8	7.5	2.0
YBX4-132M-8	3	7.58	85.9	0.70	720	1.8	7.8	2.0
YBX4-160M1-8	4	9.83	87.1	0.71	720	1.8	7.9	2.0
YBX4-160M2-8	5.5	13.1	88.3	0.72	720	1.8	8.1	2.0
YBX4-160L-8	7.5	17.2	89.3	0.74	720	1.8	7.8	2.0
YBX4-180L-8	11	25.0	90.4	0.74	725	1.8	7.9	2.0
YBX4-200L-8	15	33.3	91.2	0.75	730	1.8	8.0	2.0
YBX4-225S-8	18.5	40.9	91.7	0.75	735	1.8	8.1	2.0
YBX4-225M-8	22	47.8	92.1	0.76	735	1.8	8.3	2.0
YBX4-250M-8	30	63.9	92.7	0.77	735	1.8	7.9	2.0
YBX4-280S-8	37	77.4	93.1	0.78	740	1.8	7.9	2.0
YBX4-280M-8	45	93.9	93.4	0.78	740	1.8	7.9	2.0
YBX4-315S-8	55	111	93.7	0.80	740	1.6	8.2	2.0
YBX4-315M-8	75	151	94.2	0.80	740	1.6	7.6	2.0
YBX4-315L1-8	90	179	94.4	0.81	740	1.6	7.7	2.0
YBX4-315L2-8	110	218	94.7	0.81	740	1.6	7.7	2.0
YBX4-355S-8	132	261	94.9	0.81	740	1.6	7.7	2.0
YBX4-355M-8	160	312	95.1	0.82	740	1.6	7.7	2.0
YBX4-355L1-8	185	360	95.3	0.82	740	1.6	7.8	2.0
YBX4-355L2-8	200	388	95.4	0.82	740	1.6	7.8	2.0

注: 若有特殊要求, 可按用户需求提供。 Please contact us with your requirement.