

# YE3

## 压缩机专用三相异步电动机

### YE3 Series Screw Compressor Three-phase Asynchronous Motor



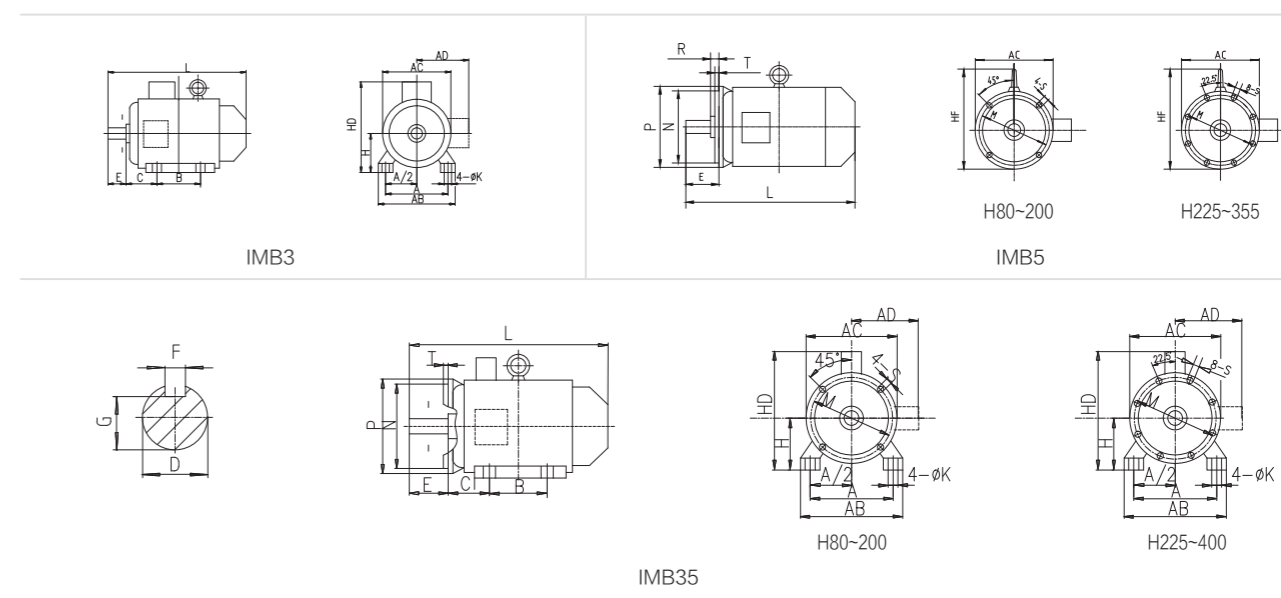
YE3系列螺杆压缩机专用三相异步电动机是我公司针对压缩机的特殊工况在YE3系列电动机的基础上设计开发的专用电动机,中心高80~355mm、0.75~375KW,绝缘等级F,额定按B级考核,服务系数SF=1.15和SF1.2(可根据客户要求提高服务系数设计)时按99K温升考核,电机采用原装进口大品牌轴承,确保轴承能长期在较高的温度下正常工作。引接线可以为客户定制,采用电缆护套管保护,两端带有管螺纹;本系列电机性能稳定,效率达到GB18613-2020能效限值3级。

YE3 series screw compressor 3 phase asynchronous motor is designed for the application in special working condition of compressor base on the super electric motor of YE3. its center height is 80-355mm, power is 0.55-375kw, insulation class is F, assessment as class B at rated power, SF is 1.15 & 1.2 (can be raising SF according to requirement), adopting the branded imported bearing make sure it is functionally and long term working under high temperature. Fixture wire can be OEM, adopting cable sleeve protection threaded at both ends. durable performance of this series of electric motor having efficiency meets IE3 in standard of GB18613-2020.

机座号 Frame Size	螺纹孔数与直径M Dia.of the throad(mm)	管螺纹孔数与直径M Dia.of the throad(mch)	外形尺寸 XxYxZ (mm)
132	1-M25 × 1.5	1-G3/4"	124 × 128 × 78
160-180	2-M32 × 1.5	2-G1"	158 × 168 × 90
200-225	2-M48 × 1.5	2-G1.5"	196 × 216 × 105
250-280	2-M60 × 1.5	2-G2"	226 × 226 × 124
315	2-M60 × 1.5	2-G2"	303 × 303 × 170
355	2-M76 × 2	2-G2.5"	360 × 485 × 200

注: 若有特殊要求, 可按用户需求提供。 Please contact us with your requirement.

YE3 系列压缩机专用高效三相异步电动机安装及外形尺寸图 YE3 Series Motor Mounting and Overall Dimensions



机座号 Frame Size	级数 Pole	安装尺寸Mounting Dimensions(mm)														外形尺寸Overall Dimensions(mm)						
		A	B	C	D	E	F	G	H	K	M	N	P	R	S	T	AB	AC	AD	HD	HF	L
132S		216	140	89	38	80	10	33	132	12	265	230	300	0	14.5	4	270	310	230	365	335	515
132M		216	178	89	38	80	10	33	132	12	265	230	300	0	14.5	4	270	310	230	365	335	550
160M	2	254	210	108	42	110	12	37	160	14.5	300	250	350	0	18.5	5	320	340	260	425	390	670
160L	4	254	254	108	42	110	12	37	160	14.5	300	250	350	0	18.5	5	320	340	260	425	390	700
180M	6	279	241	121	48	110	14	42.5	180	14.5	300	250	350	0	18.5	5	355	390	285	460	435	730
180L		279	279	121	48	110	14	42.5	180	14.5	300	250	350	0	18.5	5	355	390	285	460	435	780
200L		318	305	133	55	110	16	49	200	18.5	350	300	400	0	18.5	5	395	445	320	520	495	790
225S	4	356	286	149	60	140	18	53	225	18.5	400	350	450	0	18.5	5	435	495	350	575	550	830
225M	2	356	311	149	55	110	16	49	225	18.5	400	350	450	0	18.5	5	435	495	350	575	550	825/910
	60				140	18	53	225	855													
250M	2	406	349	168	60	140	18	53	250	24	500	450	550	0	18.5	5	490	550	390	635	615	920
	4, 6				65	140	18	58	250													
280S	2	457	368	190	65	140	18	58	280	24	500	450	550	0	18.5	5	550	630	435	705	675	980
	4, 6				75	140	20	67.5	280													
280M	2	457	419	190	65	140	18	58	280	24	500	450	550	0	18.5	5	550	630	435	705	675	1030/1070
	4, 6				75	140	20	67.5	280													
315S	2	508	406	216	65	140	18	58	315	28	600	550	660	0	24	6	635	645	530	845	860	1210
	4, 6				80	170	22	71	315													1240
315M	2	508	457	216	65	140	18	58	315	28	600	550	660	0	24	6	635	645	530	845	860	1320
	4, 6				80	170	22	71	315													1350
315L	2	508	508	216	65	140	18	58	315	28	600	550	660	0	24	6	635	645	530	845	860	1320
	4, 6				80	170	22	71	315													1350
355M	2	610	560	254	75	140	20	67.5	355	28	740	680	800	0	24	6	730	710	665	1010	1065	1510
	4, 6				95	170	25	86	355													1550
355L	2	610	630	254	75	140	20	67.5	355	28	740	680	800	0	24	6	730	710	665	1010	1065	1510
	4, 6				95	170	25	86	355													1550
400	4, 6	686	630/710	280	110	210	28	100	400	35	940	880	1000	0	28	6	806	856	700	1100	1200	1925

注: 若有特殊要求, 可按用户需求提供。 Please contact us with your requirement.

技术数据 Technical Data

型号 Type	功率 Output (kW)	额定转速 Rated Speed (r/min)	电流 Current 380V (A)	服务电流 Current 380V SF=1.15(A)	服务电流 Current 380V SF=1.2(A)	效率 Efficiency η(%)	功率因数 POWER Factor COSφ	堵转转矩 额定转矩 Tst/Tn	堵转电流 额定电流 Ist/In	最大转矩 输出转矩 Tm/Tn	重量 Weight (kg)
YE3-132S2-2	7.5	2900	14.37	16.53	17.25	90.1	0.88	2	8.5	2.3	74
YE3-132M-2	11	2930	20.59	23.68	24.71	91.2	0.89	2	8.5	2.3	80
YE3-132M2-2	15	2930	27.86	32.04	33.44	91.9	0.89	2.2	8.5	2.3	89
YE3-132M-4	7.5	1440	15.01	17.26	18.01	90.4	0.84	2	7.5	2.3	86
YE3-132M2-4	9	1440	17.87	20.55	21.44	91.1	0.84	2	7.3	2.3	98
YE3-160M1-2	11	2930	20.59	23.68	24.71	91.2	0.89	2	8.5	2.3	120
YE3-160M2-2	15	2930	27.86	32.04	33.44	91.9	0.89	2	8.5	2.3	132
YE3-160L-2	18.5	2930	34.18	39.31	41.02	92.4	0.89	2	8.5	2.3	145
YE3-160L2-2	22	2940	40.52	46.59	48.62	92.7	0.89	2	8.5	2.3	155
YE3-160M-4	11	1460	21.51	24.74	25.82	91.4	0.85	2.2	7.7	2.3	125
YE3-160L-4	15	1460	28.77	33.09	34.53	92.1	0.86	2.2	7.8	2.3	140
YE3-180M-2	22	2940	40.52	46.59	48.62	92.7	0.89	2	8.5	2.3	180
YE3-180L-2	30	2940	54.89	63.13	65.87	93.3	0.89	2	8.5	2.3	198
YE3-180L2-2	37	2940	67.41	77.52	80.90	93.7	0.89	2	8.5	2.3	225
YE3-180M-4	18.5	1470	35.30	40.59	42.36	92.6	0.86	2	7.8	2.3	192
YE3-180L-4	22	1470	41.79	48.06	50.15	93	0.86	2	7.8	2.3	204
YE3-200L1-2	30	2950	54.89	63.13	65.87	93.3	0.89	2	8.5	2.3	250
YE3-200L2-2	37	2950	67.41	77.52	80.90	93.7	0.89	2	8.5	2.3	270
YE3-200L3-2	45	2950	80.82	92.94	96.98	94	0.9	2	8.0	2.3	295
YE3-200L-4	30	1470	56.63	65.12	67.95	93.6	0.86	2	7.3	2.3	308
YE3-225S-4	37	1480	69.62	80.06	83.54	93.9	0.86	2	7.4	2.3	306
YE3-225M-2	45	2970	80.82	92.94	96.98	94	0.9	2	8.0	2.3	341
YE3-225M2-2	55	2970	98.46	113.23	118.16	94.3	0.9	2	8.0	2.3	369
YE3-225M-4	45	1480	84.40	97.06	101.28	94.2	0.86	2	7.4	2.3	353
YE3-225M2-4	55	1480	102.72	118.12	123.26	94.6	0.86	2.2	7.4	2.3	344
YE3-250M-2	55	2970	98.46	113.23	118.16	94.3	0.9	2	8.0	2.3	389
YE3-250M2-2	75	2970	133.70	153.76	160.44	94.7	0.9	1.8	7.5	2.3	421

技术数据 Technical Data

型号 Type	功率 Output (kW)	额定转速 Rated Speed (r/min)	电流 Current 380V (A)	服务电流 Current 380V SF=1.15(A)	服务电流 Current 380V SF=1.2(A)	效率 Efficiency η(%)	功率因数 POWER Factor COSφ	堵转转矩 额定转矩 Tst/Tn	堵转电流 额定电流 Ist/In	最大转矩 输出转矩 Tm/Tn	重量 Weight (kg)
YE3-250M3-2	90	2970	163.28	187.77	195.94	95	0.9	1.8	7.5	2.3	440
YE3-250M-4	55	1480	102.72	118.12	123.26	94.6	0.86	2.2	7.4	2.3	409
YE3-250M-4	75	1480	136.31	156.75	163.57	95	0.88	2	6.8	2.3	460
YE3-280S-2	75	2970	133.70	153.76	160.44	94.7	0.9	1.8	7.5	2.3	540
YE3-280M-2	90	2970	159.94	183.93	191.92	95	0.9	1.8	7.5	2.3	588
YE3-280M2-2	110	2970	195.07	224.33	234.08	95.2	0.9	1.8	7.5	2.3	688
YE3-280M3-2	132	2970	233.59	268.63	280.31	95.4	0.9	1.8	7.5	2.3	725
YE3-280S-4	75	1480	136.31	156.75	163.57	95	0.88	2	6.9	2.3	571
YE3-280M-4	90	1480	163.23	187.71	195.87	95.2	0.88	2	6.9	2.3	688
YE3-315S-2	110	2980	195.07	224.33	234.08	95.2	0.9	1.8	7.5	2.3	915
YE3-315M-2	132	2980	233.59	268.63	280.31	95.4	0.9	1.8	7.5	2.3	980
YE3-315L1-2	160	2980	279.44	321.36	335.33	95.6	0.91	1.8	7.5	2.3	1070
YE3-315L-2	185	2980	325.49	374.31	390.59	94.9	0.91	1.8	7.5	2.2	1060
YE3-315L2-2	200	2980	348.57	400.86	418.29	95.8	0.91	1.8	7.5	2.2	1120
YE3-315S-4	110	1480	196.84	226.37	236.21	95.4	0.89	2	7	2.2	912
YE3-315M-4	132	1480	235.72	271.08	282.86	95.6	0.89	2	7	2.2	1010
YE3-315L1-4	160	1480	285.12	327.89	342.15	95.8	0.89	2	7.1	2.2	1080
YE3-315L-4	185	1480	328.76	378.07	394.51	95	0.9	2.1	6.9	2.2	1115
YE3-315L2-4	200	1480	351.71	404.47	422.05	96	0.9	2	7.1	2.2	1200
YE3-355M-2	250	2980	435.71	501.07	522.86	95.8	0.91	1.6	7.5	2.2	1900
YE3-355L-2	315	2980	549.00	631.35	658.80	95.8	0.91	1.6	7.5	2.2	2300
YE3-355L1-2	355	2980	618.71	711.52	742.46	95.8	0.91	1.6	7.5	2.2	2605
YE3-3552-2	375	2980	653.57	751.61	784.29	95.8	0.91	1.6	7.5	2.2	2780
YE3-355M-4	250	1490	439.64	505.58	527.57	96	0.9	2	7.1	2.2	1700
YE3-355L-4	315	1490	553.94	637.03	664.73	96	0.9	2	7.1	2.2	1900
YE3-355L3-4	355	1490	638.47	734.24	766.17	96	0.88	1.7	7	2.2	2500
YE3-3552-4	375	1490	674.44	775.61	809.33	96	0.88	1.7	7	2.2	2800